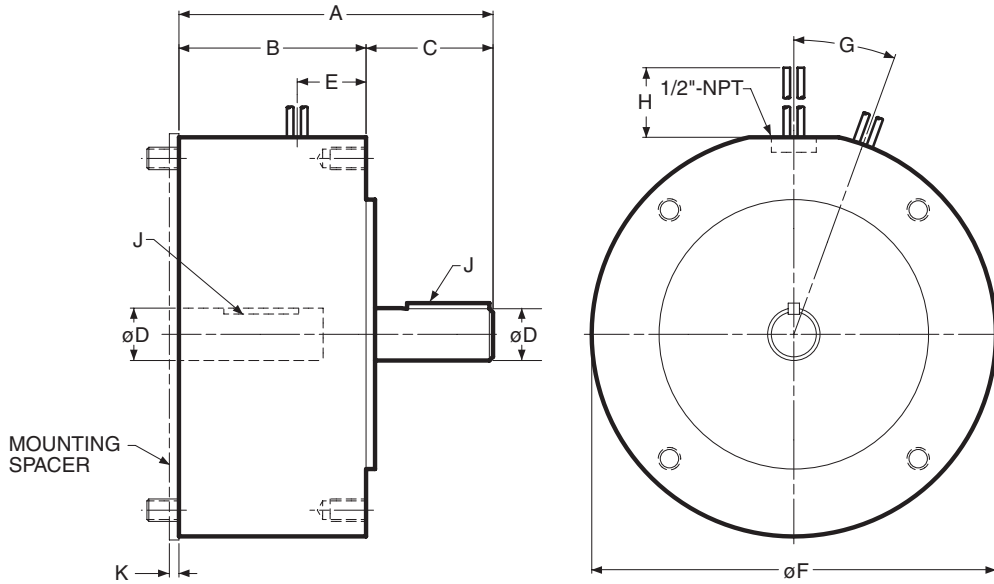


EM-FBC Series | Electrically Released Brakes

EM-20FBC Brake Module for use with a Clutch



Dimensions (Blue shaded areas indicate GEN 2 design)

Size	A	B	C	D	E	F	G	H	J	K
50	5.165	3.125	2.040	.625	1.150	6.750	0°	36	3/16 x 3/16	—
100	5.186	3.125	2.061	.625	1.150	6.750	0°	36	3/16 x 3/16	—
180	5.246	3.125	2.121	.875	1.150	6.750	0°	36	3/16 x 3/16	—
210	7.578	4.609	2.500	1.125	1.812	9.250	20°	36	1/4 x 1/4	.785

For standard NEMA frame dimensions, see page 64.

Only 50, 100, and 180 sizes of the models listed will be converted to the new GEN 2 design. 210 size will continue to be offered in the original design and will not be converted.