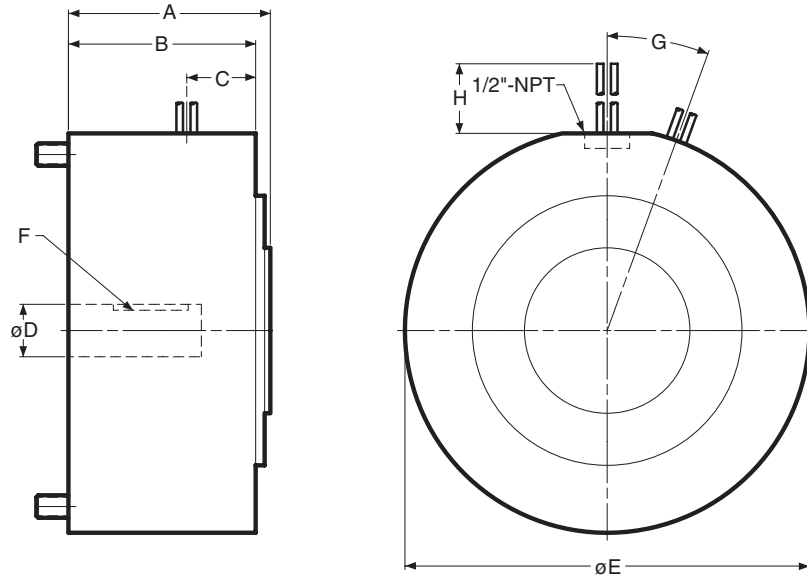


Electrically Released Brakes | EM-MBFB Series

EM-20 MBFB Motor Brake Module



Dimensions (Blue shaded areas indicate GEN 2 design)

| Size | A | B | C | D | E | F | G | H |
|---------|-------|-------|-------|-------|-------|-------------|-----|----|
| 50 | 3.368 | 3.125 | 1.150 | .625 | 6.750 | 3/16 x 3/16 | 0° | 36 |
| 100 | 3.368 | 3.125 | 1.150 | .625 | 6.750 | 3/16 x 3/16 | 0° | 36 |
| 180 | 3.368 | 3.125 | 1.150 | .875 | 6.750 | 3/16 x 3/16 | 0° | 36 |
| 210 7/8 | 5.150 | 4.610 | 1.812 | .875 | 9.250 | 3/16 x 3/16 | 20° | 36 |
| 210 | 5.150 | 4.610 | 1.812 | 1.125 | 9.250 | 1/4 x 1/4 | 20° | 36 |

For standard NEMA frame dimensions, see page 64.

Only 50, 100, and 180 sizes of the models listed will be converted to the new GEN 2 design.
210 size will continue to be offered in the original design and will not be converted.