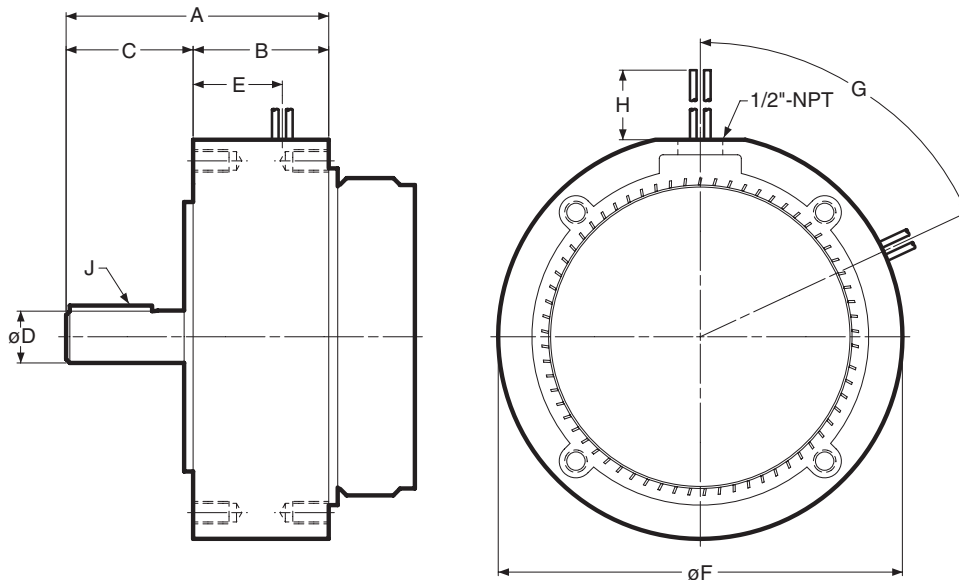


# EM Series | Electro Module

## 30 Input Clutch Module



### Dimensions (Blue shaded areas indicate GEN 2 design)

Size	A	B	C	D	E	F	G	H	J
50	4.327	2.265	2.040	.625	1.490	6.750	0°	36	3/16 x 3/16
100	4.326	2.265	2.061	.625	1.490	6.750	0°	36	3/16 x 3/16
180	4.386	2.265	2.121	.875	1.490	6.750	0°	36	3/16 x 3/16
210	5.391	2.438	2.500	1.125	1.812	9.250	65°	36	1/4 x 1/4

### Specifications (Blue shaded areas indicate GEN 2 design)

Model Size	Voltage DC	Static Torque lb. ft.	Max. RPM	Inertia-WR <sup>2</sup>		Weight (lbs)	NEMA Frame Size
				Rotor	Shaft		
50	6, 24, 90	16	3600	.020	.001	9.2	56C/48Y*
100	6, 24, 90	30	3600	.046	.002	10.5	56C/48Y**
180	6, 24, 90	30	3600	.046	.002	10.5	182C/143TC 184C/145TC
210	6, 24, 90	95	3600	.188	.017	19.8	213C/182TC 215C/184TC

\* For 56C/48Y Frame motors 3/4 HP and smaller the EM-100 size may be used where extended life is desirable.

\*\* EM-100 size is recommended for motors 1 HP and larger.

For standard NEMA frame dimensions, see page 64.

Only 50, 100, and 180 sizes of the models listed will be converted to the new GEN 2 design. 210 size will continue to be offered in the original design and will not be converted.